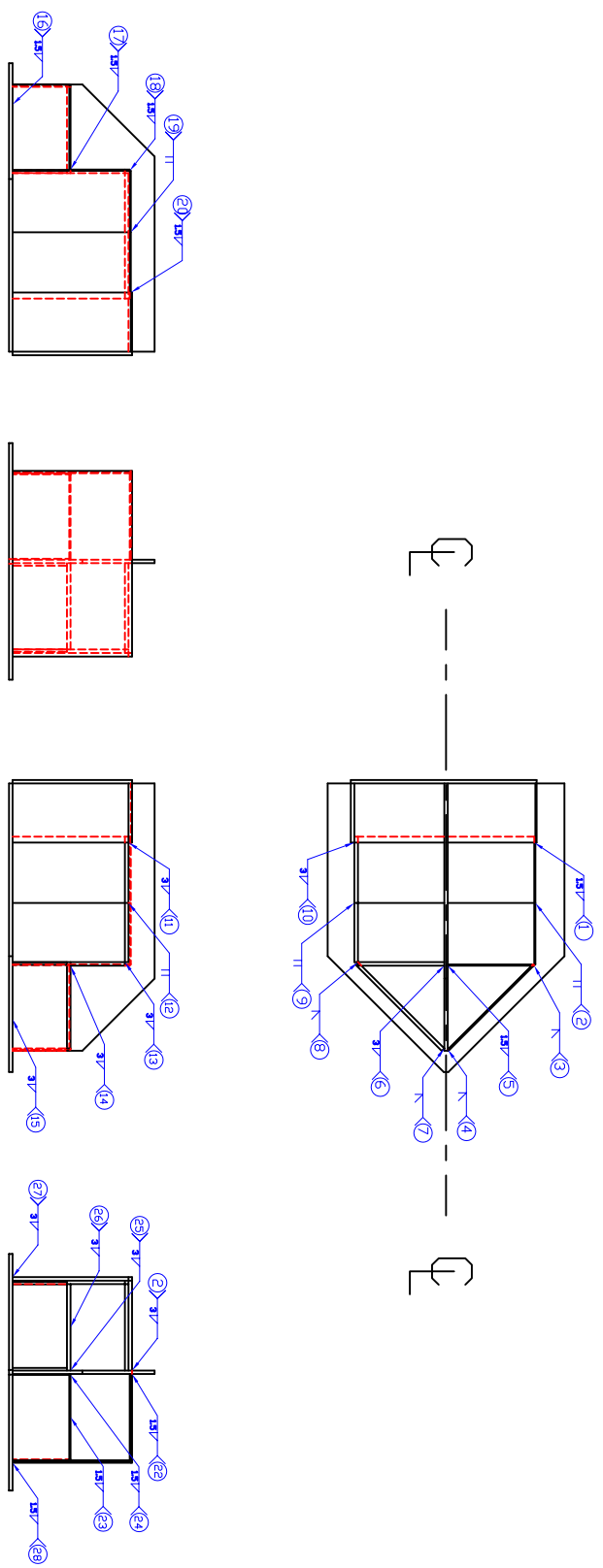


ITEM	DESCRIPTION	QTY.	REMARKS
A	50 mm x 76 mm x 3 mm Plate	1	
B	50 mm x 98 mm x 3 mm Plate	1	
C	56 mm x 73 mm x 3 mm Plate	1	
D	56 mm x 95 mm x 3 mm Plate	1	
E	50 mm x 73 mm x 3 mm Plate	1	
F	50 mm x 95 mm x 3 mm Plate	1	
G	73 mm x 73 mm x 3 mm Plate	1	CUT ANGLE ONE END
H	120 mm x 226 mm x 3 mm Plate	1	CUT ANGLE ONE CORNER
I	200 mm x 244 mm x 3 mm Plate	1	CUT ANGLE TWO CORNERS
J	46 mm x 73 mm x 3 mm Plate	1	
K	46 mm x 103 mm x 3 mm Plate	1	
L	50 mm x 74 mm x 15 mm Plate	1	
M	50 mm x 100 mm x 15 mm Plate	1	
N	56 mm x 73 mm x 15 mm Plate	1	
D	56 mm x 99 mm x 15 mm Plate	1	
P	52 mm x 73 mm x 15 mm Plate	1	
Q	52 mm x 99 mm x 15 mm Plate	1	
R	72 mm x 72 mm x 15 mm Plate	1	CUT ANGLE ONE END
S	50 mm x 73 mm x 15 mm Plate	1	
T	48 mm x 102 mm x 15 mm Plate	1	
U	101 mm x 157 mm x 3 mm Plate	1	PURGE PLATE WITH 15 MM HOLE

Designed by <i>Robert Pope</i>	Drawn By <i>Mick Peterson</i>	Date June 1, 2007	ISO A	Scale NONE
Weld-Def at the AVS Welding Show Las Vegas, NV 2008			Name PROJECT TASK #3	Revision 0
40 WSI 2008-10-USA			Trade 10 WELDING	Sheet 3 of 3

ALL DIMENSIONS IN MILLIMETRES



1 2 3 4 5 6 7 8